

# CIM 1000 Trowel Grade Cartridges

**Self mixing cartridge guns: quick and easy application, no mess.**



sag is required. The product can be used as a crack filler or for application to vertical surfaces (at thicknesses up to 250 mils) and corner flashing. Recommended minimum thickness is 60 wet mils.

**Now available in a self-mixing cartridge.**

In addition to 4.5-gallon units and .8-gallon kits, CIM 1000TG comes packaged in a self-mixing cartridge system, comprising one 750 ml tube of premix and one 100 ml tube of activator.

**Instant mixing.**

CIM 1000TG can be dispensed via a hand, air, or battery-powered caulking gun. Upon release, the activator mixes in correct proportion with the premix as it moves through the static tube. The cartridges are ideal for small applications such as penetrations, joints, cracks and many other repairs where waterproofing or chemical containment are required. Partially used cartridges can be stored and reused.

*10-to-1 dispensing guns are available from a variety of suppliers, including:*

**Cox North America, Inc.**

*cox-applicators.com 800.822.8114*

Manual Gun, 750x75, PPM750X

Pneumatic Gun, 750x75, PPA750

Battery Powered Gun, 750x75, 7010

**Newborn Brothers Co., Inc.**

*newborncaulkguns.com 800.638.3983*

Manual Gun, 750x75, S50-XSP

Pneumatic Gun, 750x75, 850A75

**Cartridge Advantages**

- Easy to use
- Reusable
- Ideal for test patches
- Stops roof leaks
- Great for crack repair
- Use to make cant beads
- Use for repairs to existing CIM
- Potable water approved

**A tough, thick elastomeric coating able to bridge cracks and bond to dissimilar surfaces.**

CIM 1000 Trowel Grade is chemically thickened to allow applications where minimal

**Keeping Liquids Where They Belong**



**C.I.M. Industries Inc.**

A Chase Corporation Company

Published data and specifications subject to change without notice.

[www.cimindustries.com](http://www.cimindustries.com)

23 Elm Street

Peterborough, NH 03458 USA

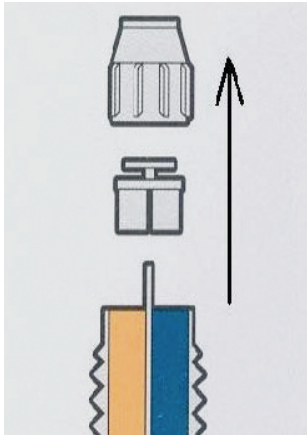
Tel 603.924.9481

800.543.3458

Fax 603.924.9482



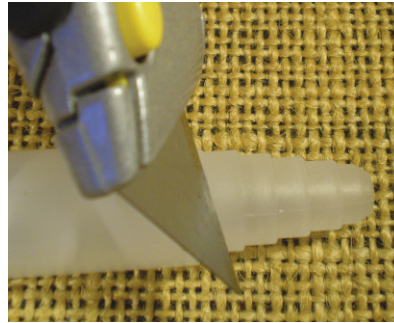
# CIM 1000 Trowel Grade Cartridge Instruction Sheet



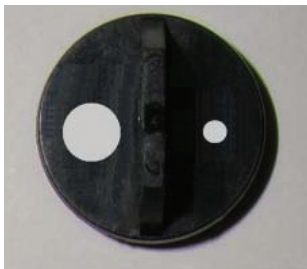
1. Retaining Nut, Cartridge Caps



3. Orifice Restrictor on Cartridge Tubes



5. Cut Tip of Static Mixer



2. Orifice Restrictor

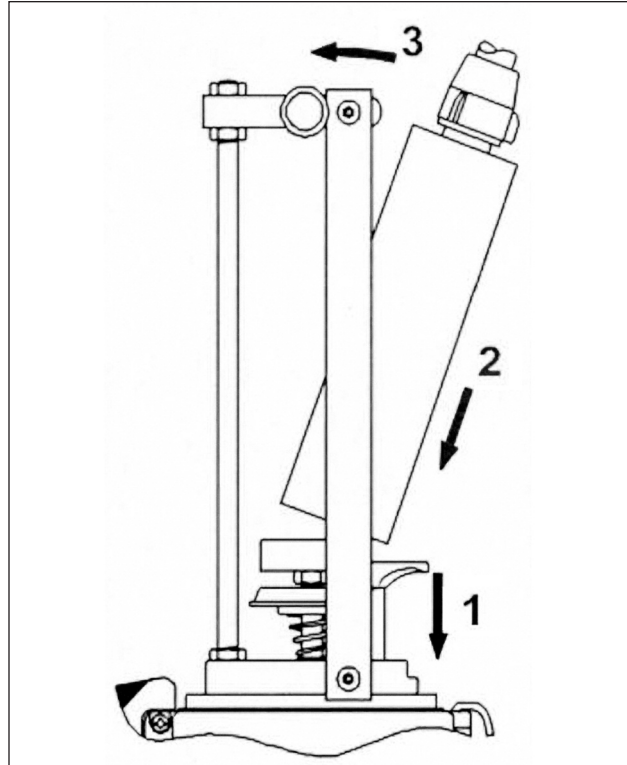


4. Static Mixer Attached to Cartridge With Retaining Nut

## CIM 1000 Trowel Grade Cartridge Setup Instructions

**Note: Perform steps 1-6 below with tip of cartridge and static mixer pointed upward.**

1. Remove retaining nut and cartridge caps from the CIM Trowel Grade Cartridge.
2. Insert orifice restrictor with small hole over smaller cartridge tube.
3. Attach the static mixer to the cartridge using the retaining nut.
4. Cut off the plastic tip of static mixer to the appropriate width.
5. Insert cartridge into caulking gun as shown above while keeping the tip pointed up.
6. Keep static mixer pointed upward, and prime the static mixer by squeezing the trigger of the caulking gun 2-3 times. Discard the first 6" shot of material dispensed from the mixer.
7. The cartridge may now be pointed in any direction (away from personnel) and is ready for use.

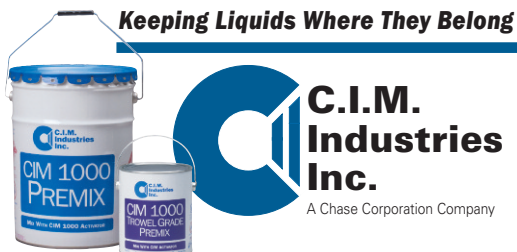


6. Insert Cartridge Into Caulking Gun While Keeping Tip Pointed Up

## Storing and Reusing a Partially Used Cartridge

1. Leave the used static mixer on the partially used cartridge; the product in the mixer will cure and act as a natural sealant. Alternatively, remove the static mixer and restrictor and replace the original cartridge caps and retaining nut.
2. Remove the old static mixer or original cartridge cap/retaining nut, only when ready to use again, and then follow steps 1-7 at left.

Published data and specifications subject to change without notice.



[www.cimindustries.com](http://www.cimindustries.com)  
23 Elm Street  
Peterborough, NH 03458 USA

Tel 603.924.9481  
800.543.3458  
Fax 603.924.9482

